



# VX0

## Enter the world of vapor smoothing

### Compact design

Small footprint all-in-one unit.  
Maximising space efficiency.

### Smooth operation

Streamlined controls and intuitive to operate.  
It's not just user-friendly; it's effortlessly intuitive.

### Plug & play

No complex setups or technical know-how required.  
Enjoy a hassle-free experience from day one.

### Sustainable cartridge system

Reusable cartridge system designed to minimize waste  
and cut costs.

### Material diversity

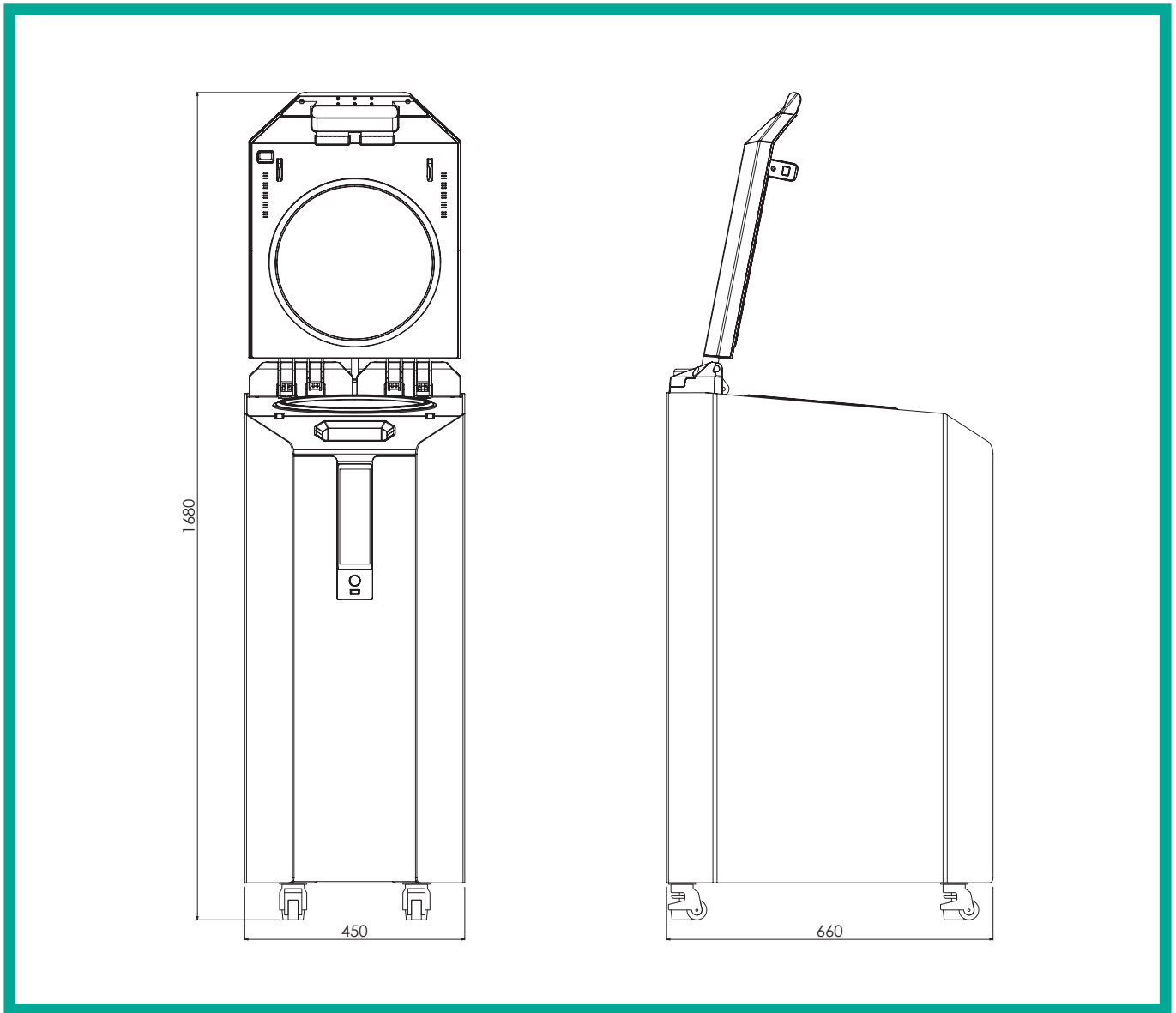
Ready for powder bed based PA12 materials.  
PA11, TPU and PP will be added via software update.

### Green and safe

Eco-friendly, FDA approved food-grade treatment agent.  
For real peace of mind.

# Technical Specifications

## VX1 - Vapor Smoothing Machine



### TECHNICAL DATA

|  |            |  |
|--|------------|--|
| Dimensions (W x D x H)                 | closed lid | 450 × 660 × 1100 mm                    |
|  | open lid   | 450 × 660 × 1680 mm                    |
| Process chamber volume (∅ x H)         |            | 280 × 400 mm (24.6 L)                  |
| Recommended process volume (W x D x H) |            | 180 × 220 × 340 mm (13.5 L)            |
| Cycle time                             |            | 1.5 to 2 h                             |
| Power requirements                     |            | 230 V AC, 12 A (dedicated circuit)     |
| Energy consumption                     |            | less than 1 kWh per cycle              |
| Compatible materials                   |            | PA12 (PA11, TPU and PP in development) |
| Compatible printing processes          |            | MJF, SLS, HSS, SAF                     |
| Treatment agent classification         |            | pharmaceutical/food grade              |